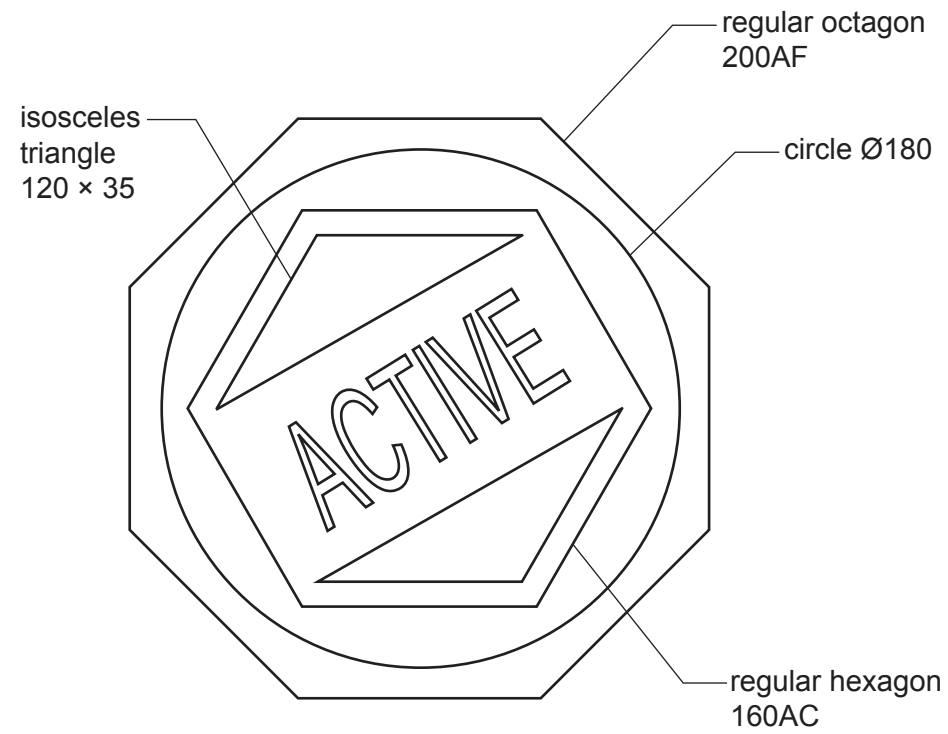


Section A

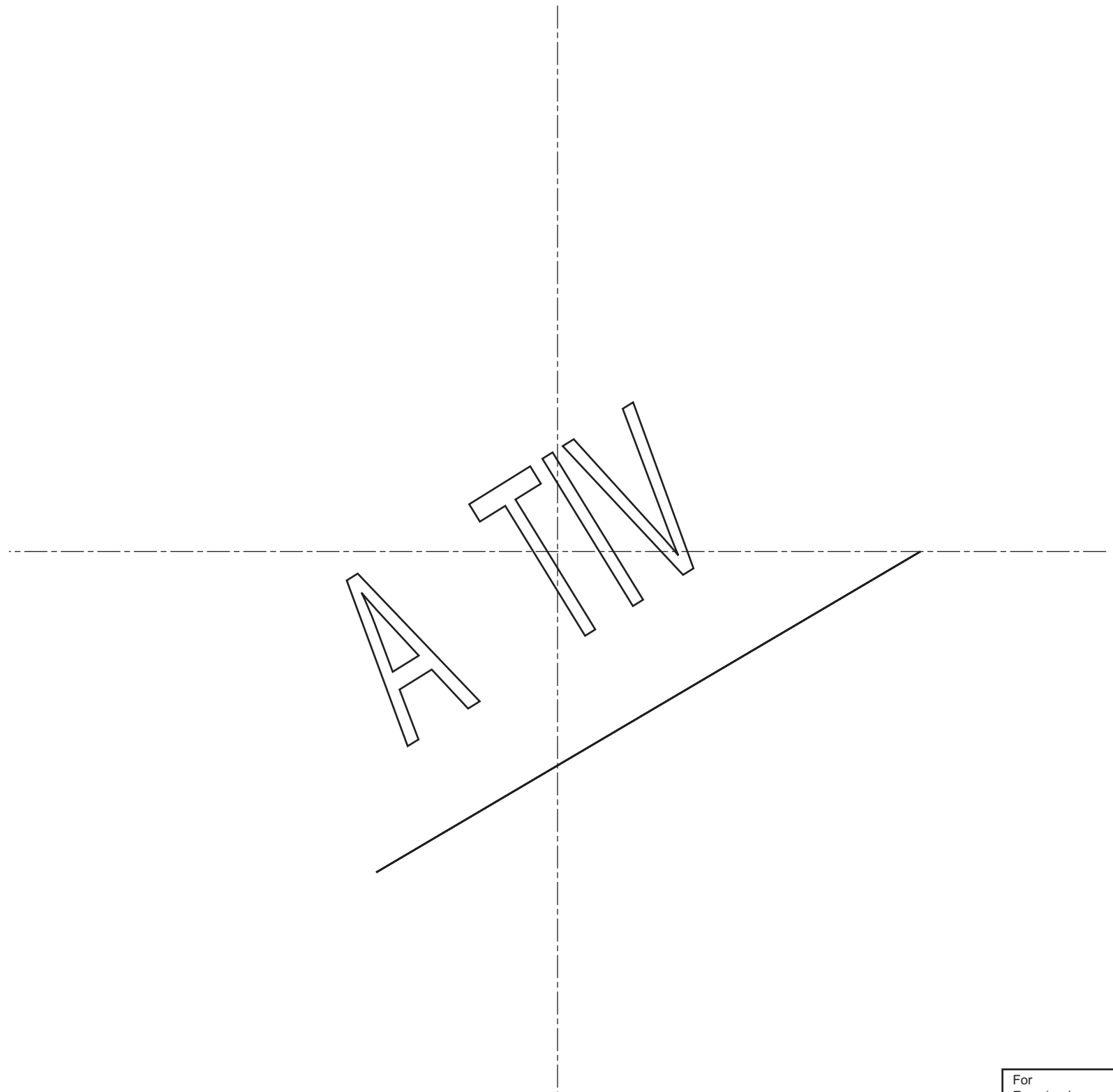
Answer **all** questions in this section.

A1 A logo for a new energy drink is shown below.



Complete the full size drawing of the logo in the space provided to the right by adding:

- (a) the circle [2]
- (b) the hexagon [3]
- (c) the octagon [3]
- (d) the isosceles triangles [4]
- (e) the missing letters of ACTIVE. [2]



0979/52 May/June 2022 **1 hour**
© UCLES 2022 DC (LE) 312482

Centre Number

Candidate Number

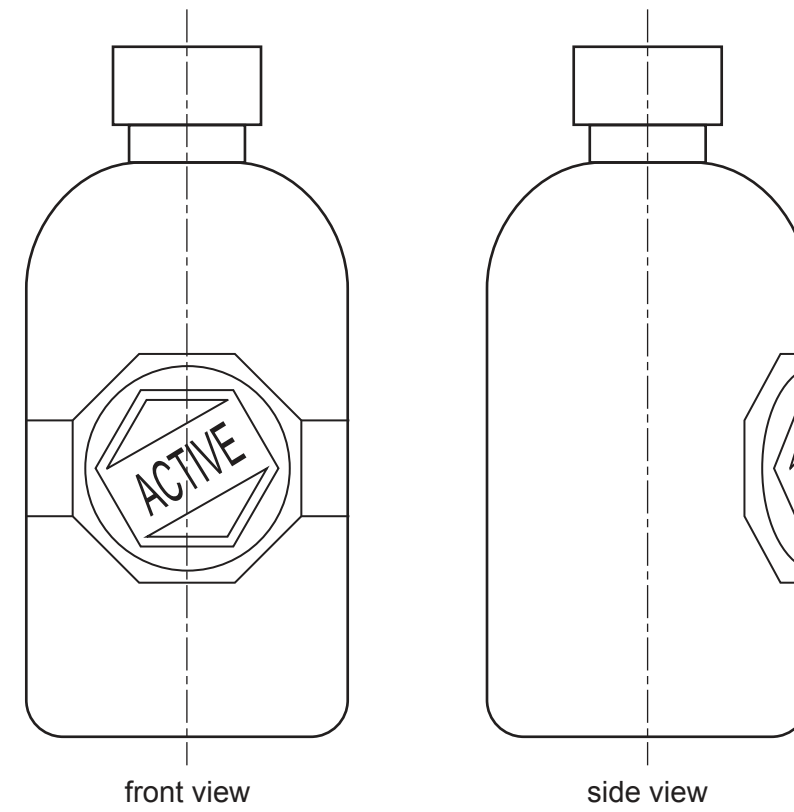
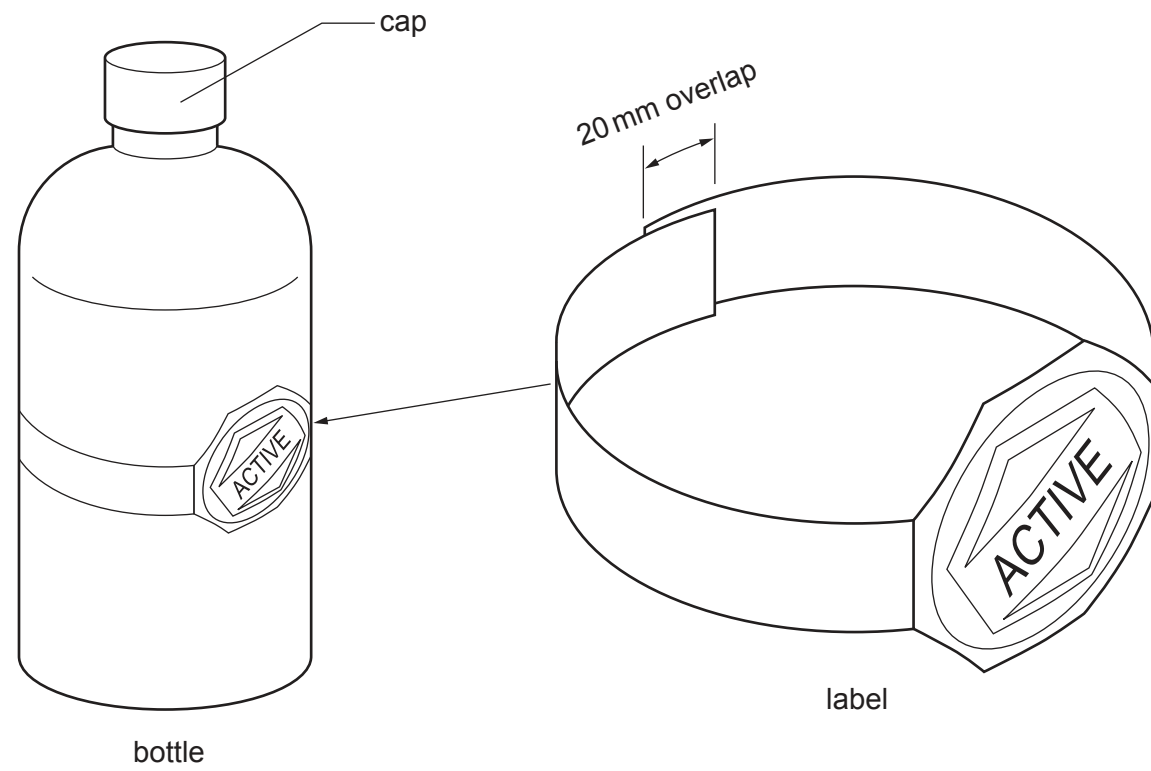
Candidate Name

[Turn over

For Examiner's use

A2 The logo will be used on the label for the energy drink bottle.

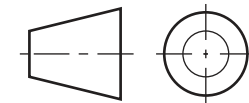
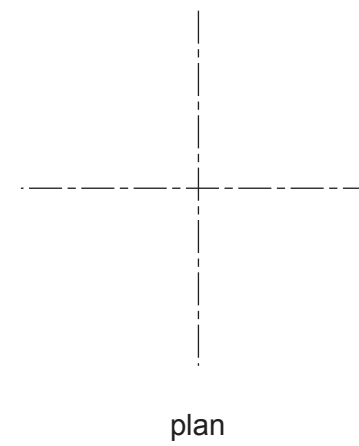
The label for the energy drink will wrap around the bottle as shown below.



Complete the orthographic views of the energy drink bottle to a scale of 1:2 by adding:

- (a) the plan [5]
- (b) the missing part of the label. [2]

Include hidden detail.



A3 The label wraps around the bottle with a 20 mm overlap to allow the ends to be glued together.

The circumference of the bottle is 212 mm.

- (a) Complete the full size development (net) of the label including the 20 mm overlap. [3]
- (b) Identify the area where the glue will be applied. [1]

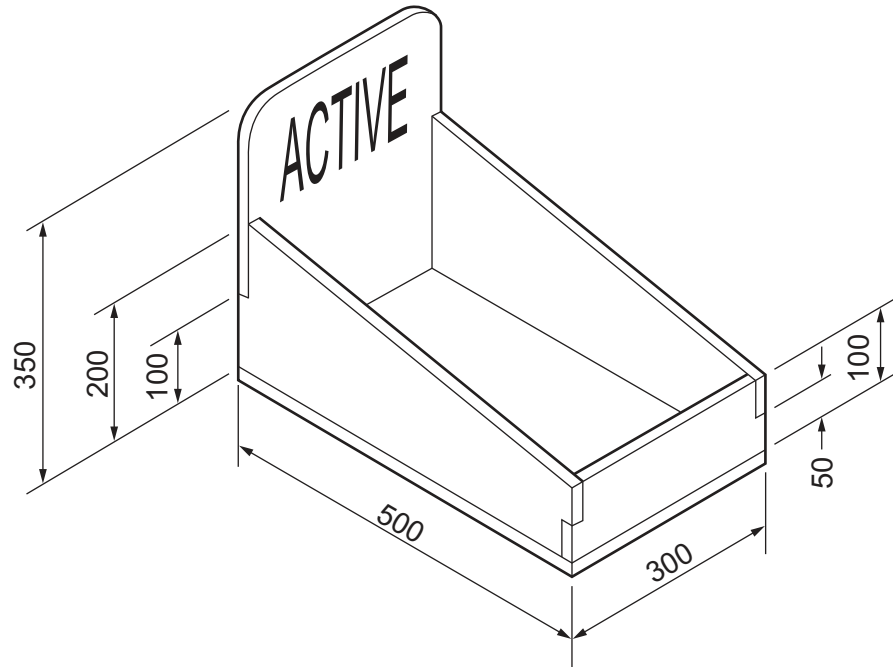


Section B

Answer one question, either question B4 or B5, from this section.

B4 A point of sale display for bottles of energy drink is shown below.

The point of sale display is made from five pieces of 20 mm thick MDF.



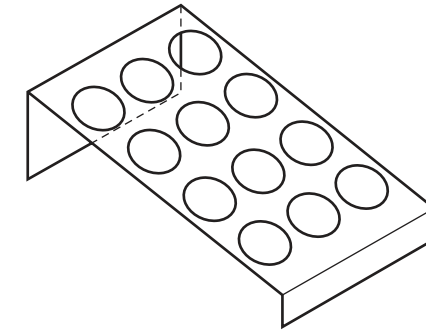
(a) Complete the parts list by drawing the pieces of the point of sale display to a scale of 1:10. [12]

Back × 1	Base × 1
Front × 1	Sides × 2

parts list

(b) An insert for the point of sale display is shown below.

The insert is made from thin plastic sheet.



(i) Name **one** suitable type of thin plastic sheet for the insert. [1]

..... [1]

(ii) State **one** piece of CAM equipment that could be used to cut out the insert from thin plastic sheet. [1]

..... [1]

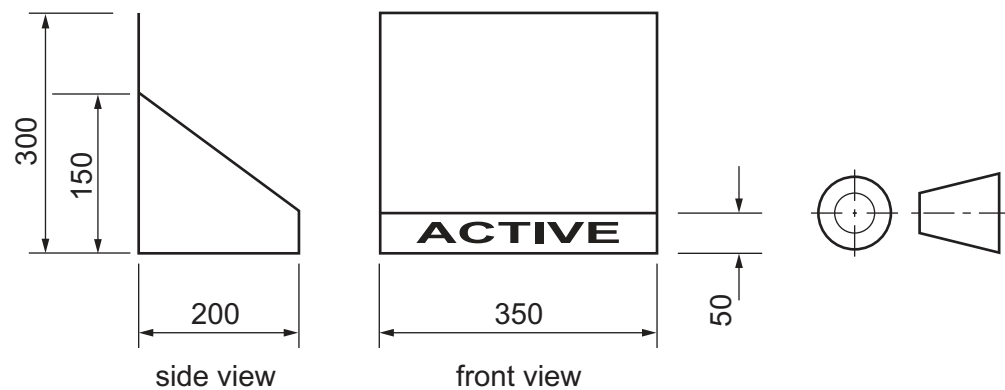
(iii) Describe a method of bending the thin plastic sheet into the required shape after it is cut out.

..... [2]

 [2]

(c) Orthographic views of another point of sale display for bottles of energy drink are shown below.

Complete the one point perspective view of the point of sale display to a scale of 1:5. [9]



VP

0979/52 May/June 2022 1 hour
 © UCLES 2022 DC (LE) 312482

Centre Number

Candidate Number

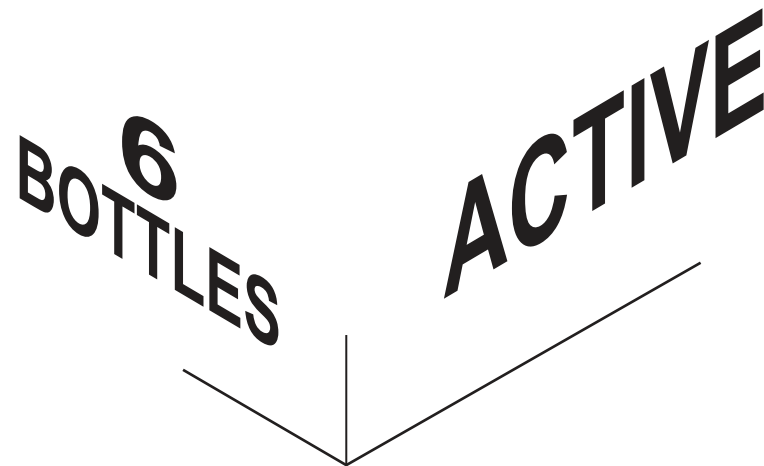
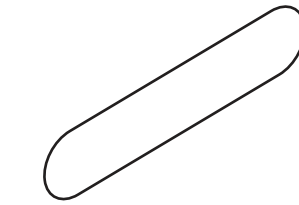
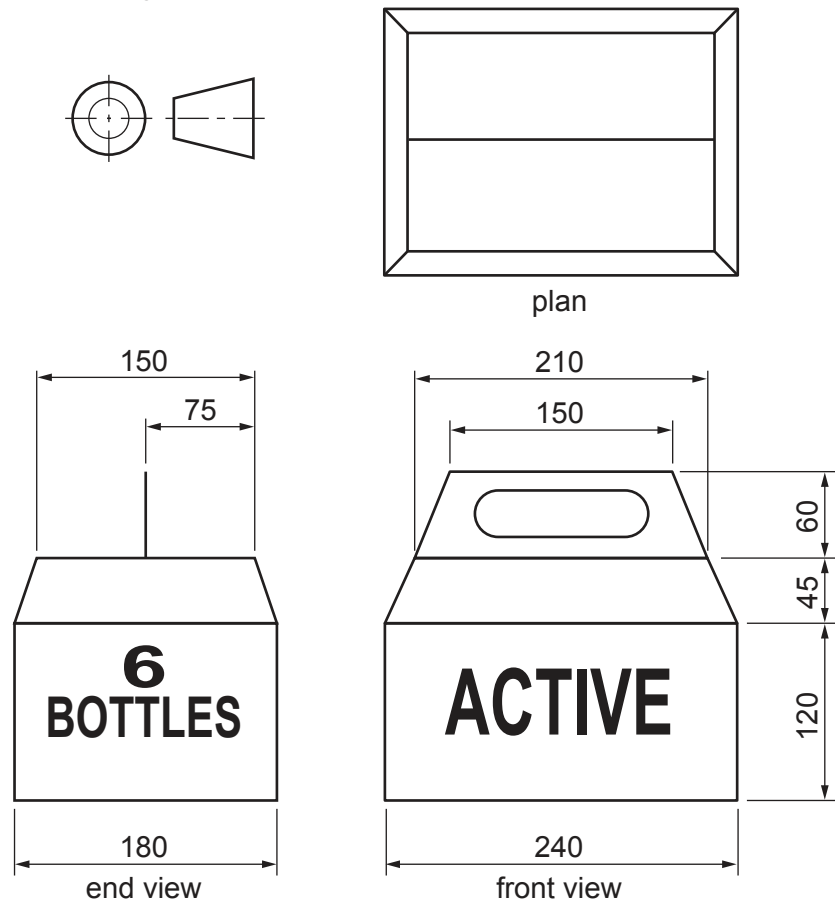
Candidate Name

[Turn over

For Examiner's use

B5 Orthographic views of a package for holding six bottles of energy drink are shown below.

The package is made from thin card.



isometric view

(a) Complete the isometric view of the package to a scale of 1:3. [13]

(b) A recycling symbol is to be added to the package.

(i) Describe how a computer could be used to capture an image of a recycling symbol.

.....

 [2]

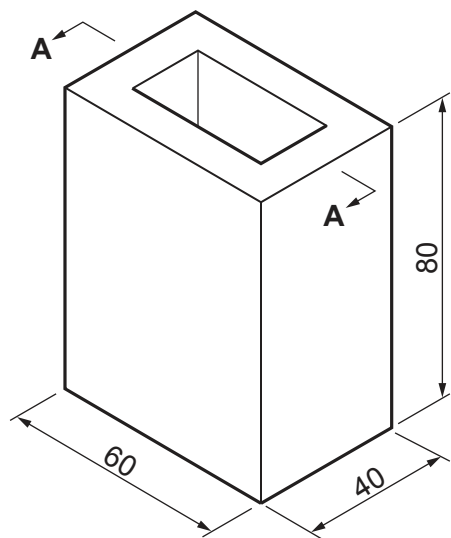
(ii) Explain **one** benefit of using a computer to capture and store images.

.....

 [2]

(c) A model of a recycling bin is shown below.

The model is made from 10 mm thick Styrofoam.



Draw a full size sectional view through A-A. [5]

Sectional view A-A

(d) The model of the recycling bin is shown below.

Render the model of the recycling bin to look more realistic. [3]

